



Logitech® G302 Daedalus Prime

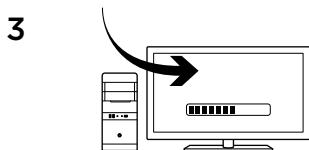
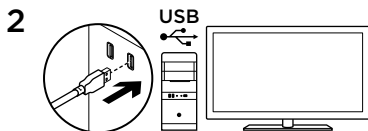
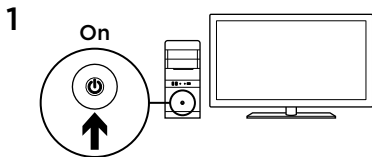
Setup Guide
设置指南



Contents / 目录

English.3

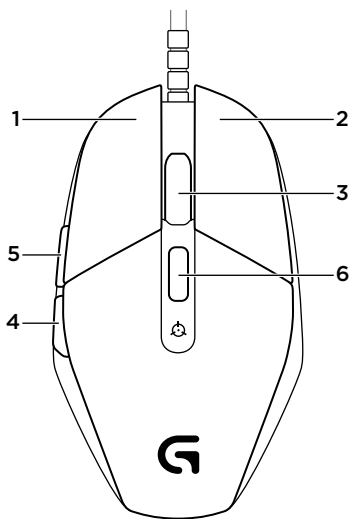
简体中文6



Your Daedalus Prime is ready to play games. If you would like to customize your Daedalus Prime, refer to the next section.

You can customize the onboard profile of the Daedalus Prime—button programming, tracking behavior, and lighting—using the Logitech Gaming Software. Download this software and learn how to customize the Daedalus Prime at www.logitech.com/support/g302

6 fully programmable buttons



1. Left (Button 1)
2. Right (Button 2)
3. Wheel click (Button 3)
4. Back (Button 4)
5. Forward (Button 5)
6. DPI cycle (Button G6)

Default Settings:

DPI Values: 400/800/1600/3200

USB Report Rate: 1000/sec (1ms)

Logo lighting: On, static

Side lighting: On, with breathing effect

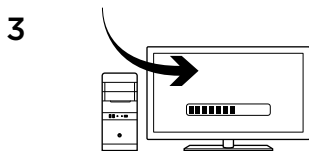
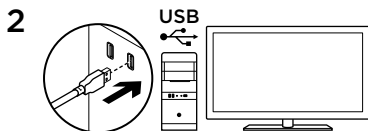
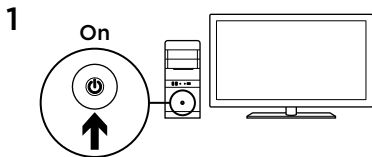
Onboard profile

Daedalus Prime allows you to tweak your settings until they are perfect and store them in its onboard memory. You can adjust button functions, DPI values, USB report rate, and lighting effects using the optional Logitech Gaming Software, available for download from www.logitech.com/support/g302

Tips

Try the default profile settings in practice games before changing these settings.

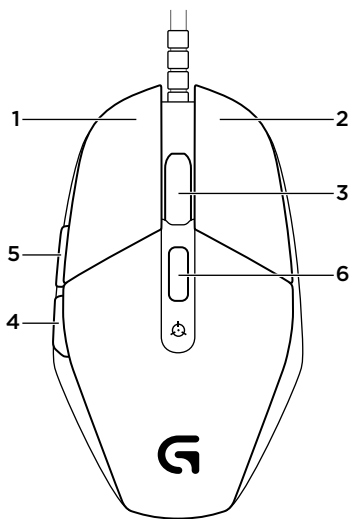
By default, Logitech Gaming Software changes the onboard memory of the mouse. By selecting “Automatic Game Detection” from the home view, advanced gamers can customize each game according to their specific button configuration and sensitivity switching needs. The Logitech Gaming Software stores this information and applies it automatically when the game is detected.



Daedalus Prime 已准备就绪，您可以开始游戏了。如果要对 Daedalus Prime 进行自定义，请参阅下方说明。

您可使用罗技游戏软件对 Daedalus Prime 自带的配置文件进行自定义，可自定义的功能包括按钮编程、定位精度以及背光。请访问 www.logitech.com/support/g302 下载软件并了解如何对 Daedalus Prime 进行自定义。

6 个完全可编程按钮



1. 左键 (按钮 1)
2. 右键 (按钮 2)
3. 滚轮点击 (按钮 3)
4. 后退 (按钮 4)
5. 前进 (按钮 5)
6. DPI 循环切换 (按钮 G6)

默认设置:

DPI 值: 400/800/1600/3200

USB 报告速率: 1000/秒 (1 毫秒)

标识灯: 开, 静态

侧灯: 开, 具有呼吸效果

板载配置文件

Daedalus Prime 允许您对设置进行微调，直到达到理想状态，并且您可以将设置保存到板载内存中。您可以使用罗技游戏软件调整按钮功能、DPI 值、USB 报告速率以及背光效果，软件可从

www.logitech.com/support/g302 下载。

提示

在更改默认设置之前，请先在练习游戏中尝试使用默认配置设定。

默认情况下，罗技游戏软件会改变鼠标的板载内存。通过在主页视图选择“自动游戏检测”，高级玩家可根据其特定的按钮配置和灵敏度切换需求来自定义每个游戏。罗技游戏软件将存储这些信息，并在检测到游戏时自动应用这些信息。



gaming.logitech.com

www.logitech.com/support/g302

© 2014 Logitech. All rights reserved. Logitech, the Logitech logo, and other Logitech marks are owned by Logitech and may be registered. All other trademarks are the property of their respective owners. Logitech assumes no responsibility for any errors that may appear in this manual. Information contained herein is subject to change without notice.

版权所有 © 2014 年罗技。罗技、罗技标志、Logitech 和其他罗技商标均归罗技所有，并或已注册。所有其它商标均是其各自所有者的财产。罗技对于本手册中可能出现的任何错误不承担任何责任。本手册中包含的信息如有更改，恕不事先通知。

621-000338.002